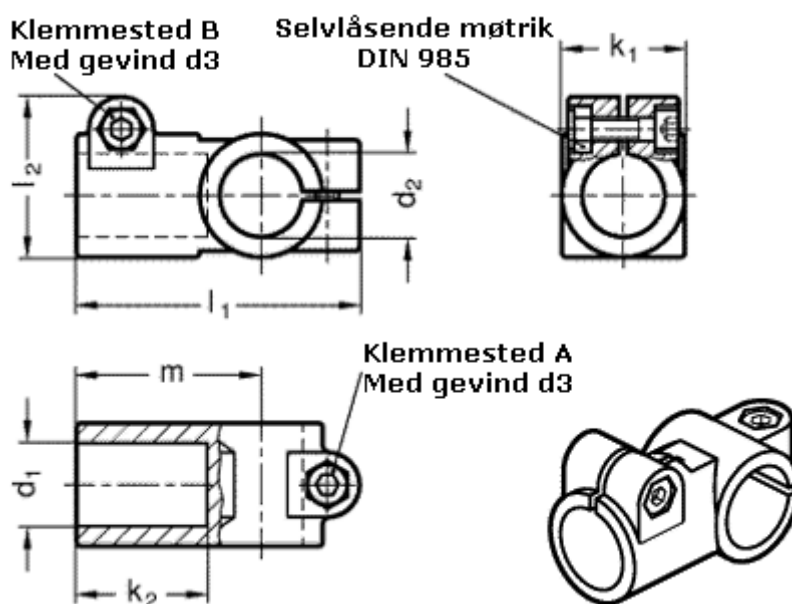


Article number: 20192B30B30562BL

Description: E+G

T-angle clamps GN192-B30-B30-56-2-BL

## Measures



d1 = B30  
d2 = B30  
d3 = M10  
k1 = 56  
k2 = 62.0  
l1 = 129  
l2 = 69.0  
m = 88